

TYPES  
**CH**

RATED VOLTAGE  
**~690V**

**Technical data:**

Standards:  
**IEC 60269-4-1**

Breaking capacity:  
**~200 kA**  
Rated voltage:  
**~600V , ~690V**

Characteristic:  
**aR**

**Application:**

Fuse-links of system C are applied in fuse disconnectors VLC.

Size	In (A)	Type without indicator	Code No.	Operating I <sup>2</sup> -value (A <sup>2</sup> s)	Power dissipation (W)	Type with striker	Code No.	Char.	Pack. (pcs)	Weight (g)
10x38	6	CH10UQ/6A/600V	1460006	30	1.5	-	-	aR	10	10
	8	CH10UQ/8A/600V	1460008	50	2	-	-	aR	10	10
	10	CH10UQ/10A/600V	1460010	70	2.5	-	-	aR	10	10
	12	CH10UQ/12A/600V	1460012	120	3	-	-	aR	10	10
	16	CH10UQ/16A/600V	1460016	150	3.5	-	-	aR	10	10
	20	CH10UQ/20A/600V	1460020	260	4.8	-	-	aR	10	10
	25	CH10UQ/25A/600V	1460025	290	6	-	-	aR	10	10
	32	CH10UQ/32A/600V	1460032	600	7.5	-	-	aR	10	10
14x51	10	CH14UQ/10A/690V	1461010	22	4	CH-S14UQ/10A/690V	1471010	aR	10	22.5
	12	CH14UQ/12A/690V	1461012	50	5	CH-S14UQ/12A/690V	1471012	aR	10	22.5
	16	CH14UQ/16A/690V	1461016	75	5.5	CH-S14UQ/16A/690V	1471016	aR	10	22.5
	20	CH14UQ/20A/690V	1461020	180	6	CH-S14UQ/20A/690V	1471020	aR	10	22.5
	25	CH14UQ/25A/690V	1461025	320	7	CH-S14UQ/25A/690V	1471025	aR	10	22.5
	32	CH14UQ/32A/690V	1461032	600	7.6	CH-S14UQ/32A/690V	1471032	aR	10	22.5
	40	CH14UQ/40A/690V	1461040	750	8	CH-S14UQ/40A/690V	1471040	aR	10	22.5
	50	CH14UQ/50A/690V	1461050	1.800	9	CH-S14UQ/50A/690V	1471050	aR	10	22.5
22x58	20	CH22UQ/20A/690V	1462020	260	5.6	CH-S22UQ/20A/690V	1472020	aR	10	45
	25	CH22UQ/25A/690V	1462025	410	5.6	CH-S22UQ/25A/690V	1472025	aR	10	45
	32	CH22UQ/32A/690V	1462032	605	7	CH-S22UQ/32A/690V	1472032	aR	10	45
	40	CH22UQ/40A/690V	1462040	750	8.5	CH-S22UQ/40A/690V	1472040	aR	10	45
	50	CH22UQ/50A/690V	1462050	1.600	9.5	CH-S22UQ/50A/690V	1472050	aR	10	45
	63	CH22UQ/63A/690V	1462063	3.080	11	CH-S22UQ/63A/690V	1472063	aR	10	45
	80	CH22UQ/80A/690V	1462080	6.600	13.5	CH-S22UQ/80A/690V	1472080	aR	10	45
	100	CH22UQ/100A/690V	1462100	12.500	16	CH-S22UQ/100A/690V	1472100	aR	10	45

CH10

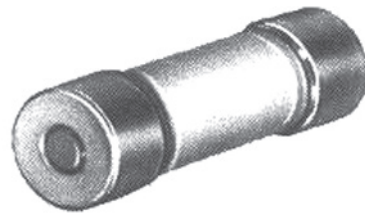
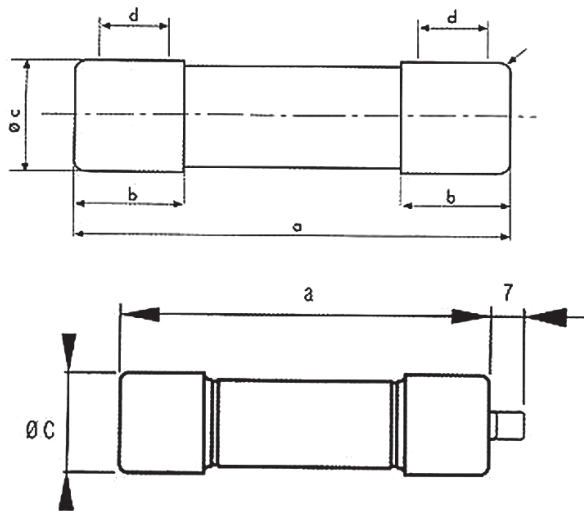


CH22



**Dimensions:**

**CH, CH-S and AQS-F**



Size	a	b	c	d
10x38	38	10.5	10.3	6
14x51	51	13.8	14.3	7.5
22x58	58	16.2	22.3	11

# SYSTEM C

TYPES  
**AQS-F**

RATED VOLTAGE  
**~ 690V**

**Technical data:**

Standards:  
**IEC 60269-4-1**

Breaking capacity:  
**~ 200 kA**  
Rated voltage:  
**~ 690V**

Characteristic:  
**gR**

**Application:**

Fuse-links of system C are applied in fuse disconnectors VLC.

certificate for 700V.

AQS-F 10



AQS-F 22



Size	In (A)	Type without indicator	Code No.	Operating I <sup>2</sup> -value (A <sup>2</sup> s)	Power dissipation (W)	Char.	Pack. (pcs)	Weight (g)
10x38	1	AQS10 UQ/1A/690V	1485010	1.6	1	gR	10	10
	2	AQS10 UQ/2A/690V	1485013	8	1.8	gR	10	10
	4	AQS10 UQ/4A/690V	1485016	8	1.1	gR	10	10
	6	AQS10 UQ/6A/690V	1485018	25	1.6	gR	10	10
	8	AQS10 UQ/8A/690V	1485019	39	1.8	gR	10	10
	10	AQS10 UQ/10A/690V	1485020	66	2.1	gR	10	10
	12	AQS10 UQ/12A/690V	1485021	87	3.1	gR	10	10
	16	AQS10 UQ/16A/690V	1485022	166	4.4	gR	10	10
	20	AQS10 UQ/20A/690V	1485023	280	5.8	gR	10	10
	25	AQS10 UQ/25A/690V	1485024	580	6.8	gR	10	10
	30	AQS10 UQ/30A/690V	1485025	1.010	8.2	gR	10	10
	14x51	6	AQS14 UQ/6A/690V	1480006	18	1.3	gR	10
8		AQS14 UQ/8A/690V	1480008	28	1.7	gR	10	22.5
10		AQS14 UQ/10A/690V	1480010	39	2.6	gR	10	22.5
12		AQS14 UQ/12A/690V	1480012	75	3.1	gR	10	22.5
16		AQS14 UQ/16A/690V	1480016	115	4.7	gR	10	22.5
20		AQS14 UQ/20A/690V	1480020	190	6	gR	10	22.5
25		AQS14 UQ/25A/690V	1480025	340	7.6	gR	10	22.5
32		AQS14 UQ/32A/690V	1480032	620	9.5	gR	10	22.5
40		AQS14 UQ/40A/690V	1480040	1.050	10	gR	10	22.5
50		AQS14 UQ/50A/690V	1480050	1.900	12	gR	10	22.5
22x58	20	AQS22 UQ/20A/690V	1482020	91	6	gR	10	45
	25	AQS22 UQ/25A/690V	1482025	140	7.2	gR	10	45
	32	AQS22 UQ/32A/690V	1482032	315	9.6	gR	10	45
	40	AQS22 UQ/40A/690V	1482040	610	12	gR	10	45
	50	AQS22 UQ/50A/690V	1482050	910	15	gR	10	45
	63	AQS22 UQ/63A/690V	1482063	2.260	16	gR	10	45
	80	AQS22 UQ/80A/690V	1482080	4.400	18	gR	10	45
100	AQS22 UQ/100A/690V	1482100	8.900	19	gR	10	45	