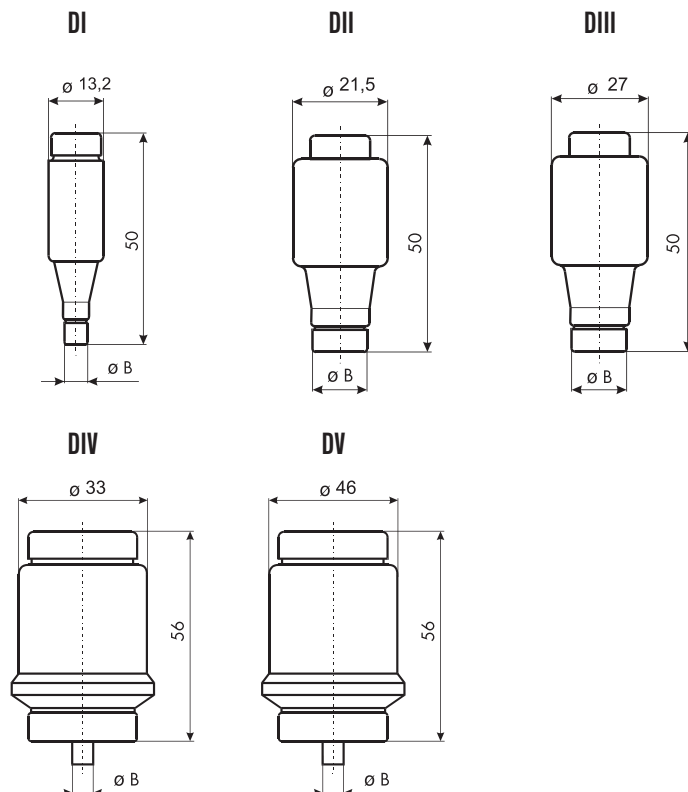


RATED VOLTAGE
~500V

| Technical data: | | | Application: |
|--|---|-----------------------|---|
| Standards: DIN 49515 IEC 60269-4-1 | Breaking capacity: ~50kA / --- 8kA Rated voltage: ~500V / --- 315V | Characteristic: gR | Fuse-links of system D are mounted in fuse base E16, E27, E33, R 1 1/4", R2". |

| Size | In (A) | Type | Code No. | Operating I ² t-value (A ² s) | Power dissipation (W) | Char. | Colour | Dimension B | Packaging (pcs) | Weight (g) |
|--------------|--------|-----------|-----------|---|-----------------------|-------|--------|-------------|-----------------|------------|
| D I | 2 | DIUQ2A | 004321001 | 5.8 | 2.1 | gR | pink | 6 | 10/500 | 12 |
| | 4 | DIUQ4A | 004321002 | 11 | 2.5 | gR | brown | 6 | 10/500 | 12 |
| | 6 | DIUQ6A | 004321003 | 18 | 3.2 | gR | green | 6 | 10/500 | 12 |
| | 10 | DIUQ10A | 004321004 | 40 | 3.6 | gR | red | 8 | 10/500 | 13 |
| | 16 | DIUQ16A | 004321005 | 60 | 6.3 | gR | grey | 10 | 10/500 | 14 |
| | 20 | DIUQ20A | 004321006 | 139 | 7.3 | gR | blue | 12 | 10/500 | 15 |
| | 25 | DIUQ25A | 004321007 | 205 | 9.0 | gR | yellow | 14 | 10/500 | 16 |
| D II | 2 | DIUQ2A | 004322001 | 5.8 | 2.1 | gR | pink | 6 | 5/500 | 27 |
| | 4 | DIUQ4A | 004322002 | 11 | 2.5 | gR | brown | 6 | 5/500 | 27 |
| | 6 | DIUQ6A | 004322003 | 18 | 3.2 | gR | green | 6 | 5/500 | 27 |
| | 10 | DIUQ10A | 004322004 | 40 | 3.6 | gR | red | 8 | 5/500 | 27 |
| | 16 | DIUQ16A | 004322005 | 60 | 6.3 | gR | grey | 10 | 5/500 | 28 |
| | 20 | DIUQ20A | 004322006 | 139 | 7.3 | gR | blue | 12 | 5/500 | 29 |
| | 25 | DIUQ25A | 004322007 | 205 | 9.0 | gR | yellow | 14 | 5/500 | 30 |
| D III | 35 | DIUQ35A | 004323001 | 539 | 12.0 | gR | black | 16 | 5/500 | 48 |
| | 50 | DIUQ50A | 004323002 | 1.250 | 19.0 | gR | white | 18 | 5/500 | 49 |
| | 63 | DIUQ63A | 004323003 | 1.890 | 23.0 | gR | copper | 20 | 5/500 | 52 |
| D IV | 80 | DIVUQ80A | 004324001 | 4.200 | 33.0 | gR | silver | 5 | 3/48 | 105 |
| | 100 | DIVUQ100A | 004324002 | 8.450 | 51.0 | gR | red | 7 | 3/48 | 110 |
| D V | 125 | DVUQ125A | 004325001 | 16.000 | 60.0 | gR | yellow | 5 | 10/60 | 185 |
| | 160 | DVUQ160A | 004325002 | 24.000 | 71.0 | gR | copper | 7 | 10/60 | 210 |
| | 200 | DVUQ200A | 004325003 | 40.000 | 90.0 | gR | blue | 9 | 10/60 | 215 |

Dimensions:



DIUQ4A



DIUQ16A



DIUQ35A



DIVUQ80A



DVUQ200A

